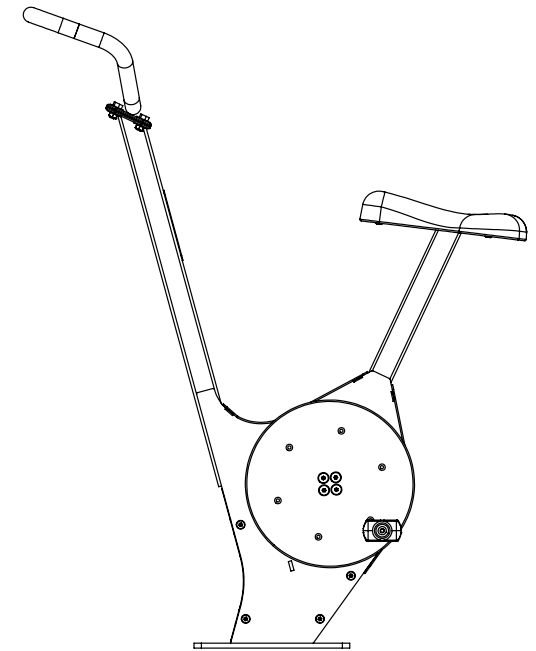
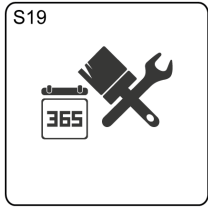
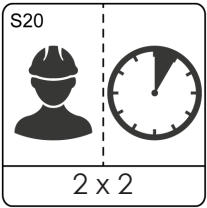


### CC & OM

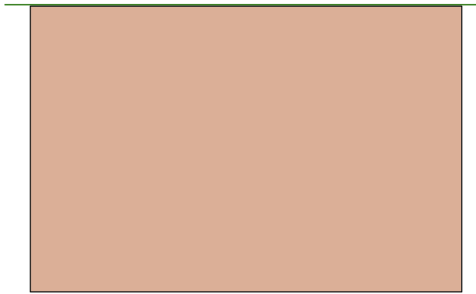


1	MTGO904-C		1x Spinning Bike	80.5kg
2	MTGO602-01-A		1x 429 x 429 x 344mm	14kg
3	A4 Security Torx button screw		4x M12x50mm	-kg
4	A4 Washer		4x M12 Washer	-kg

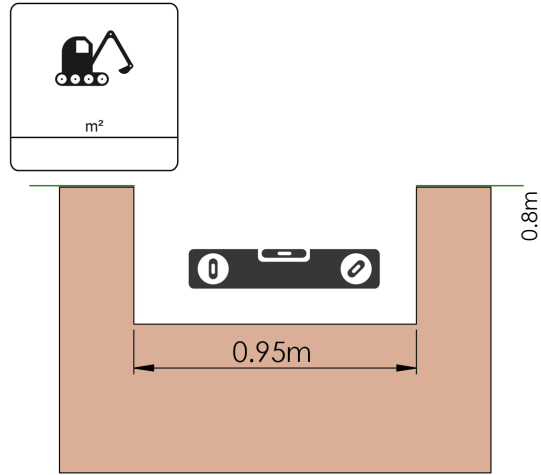


CC

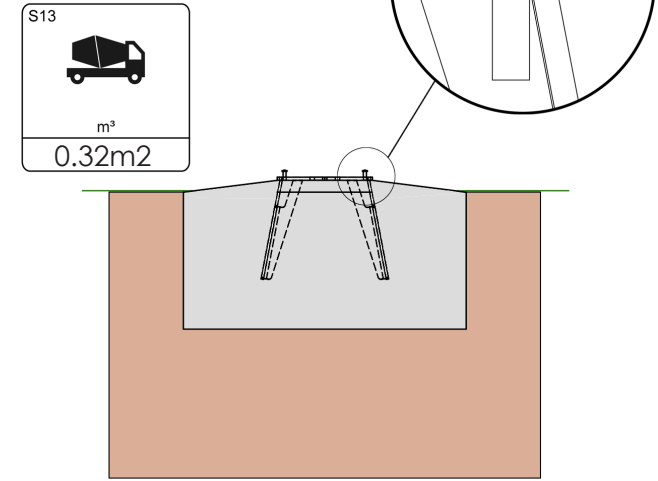
1



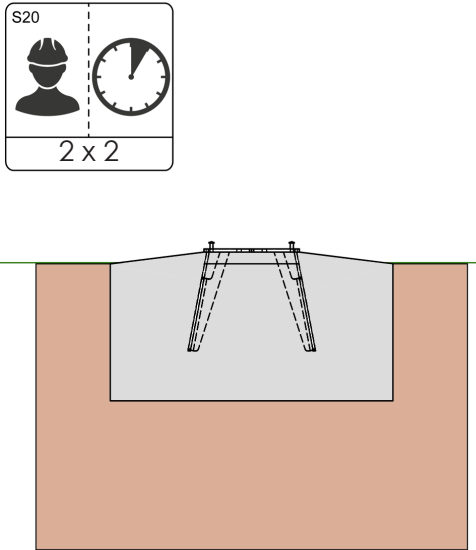
2



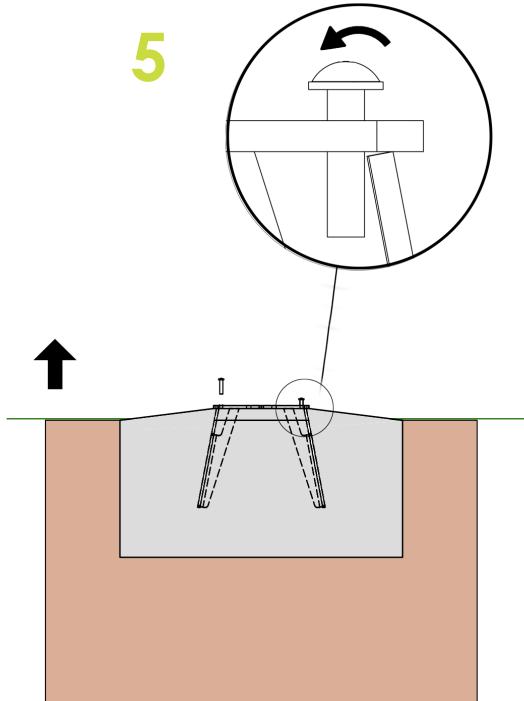
3



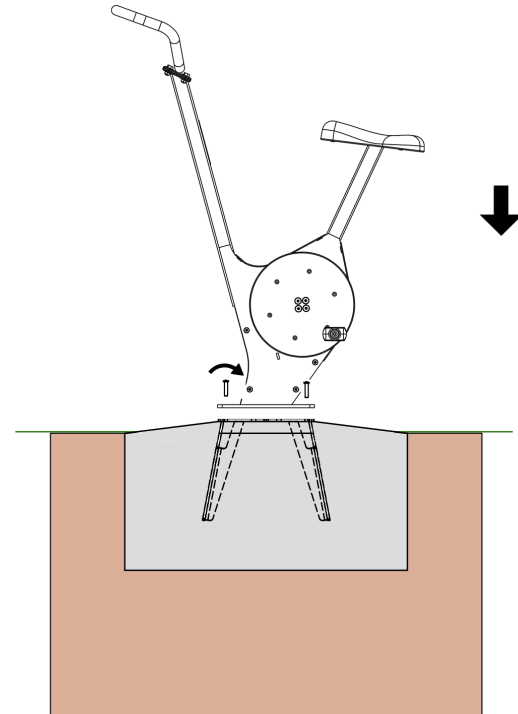
4

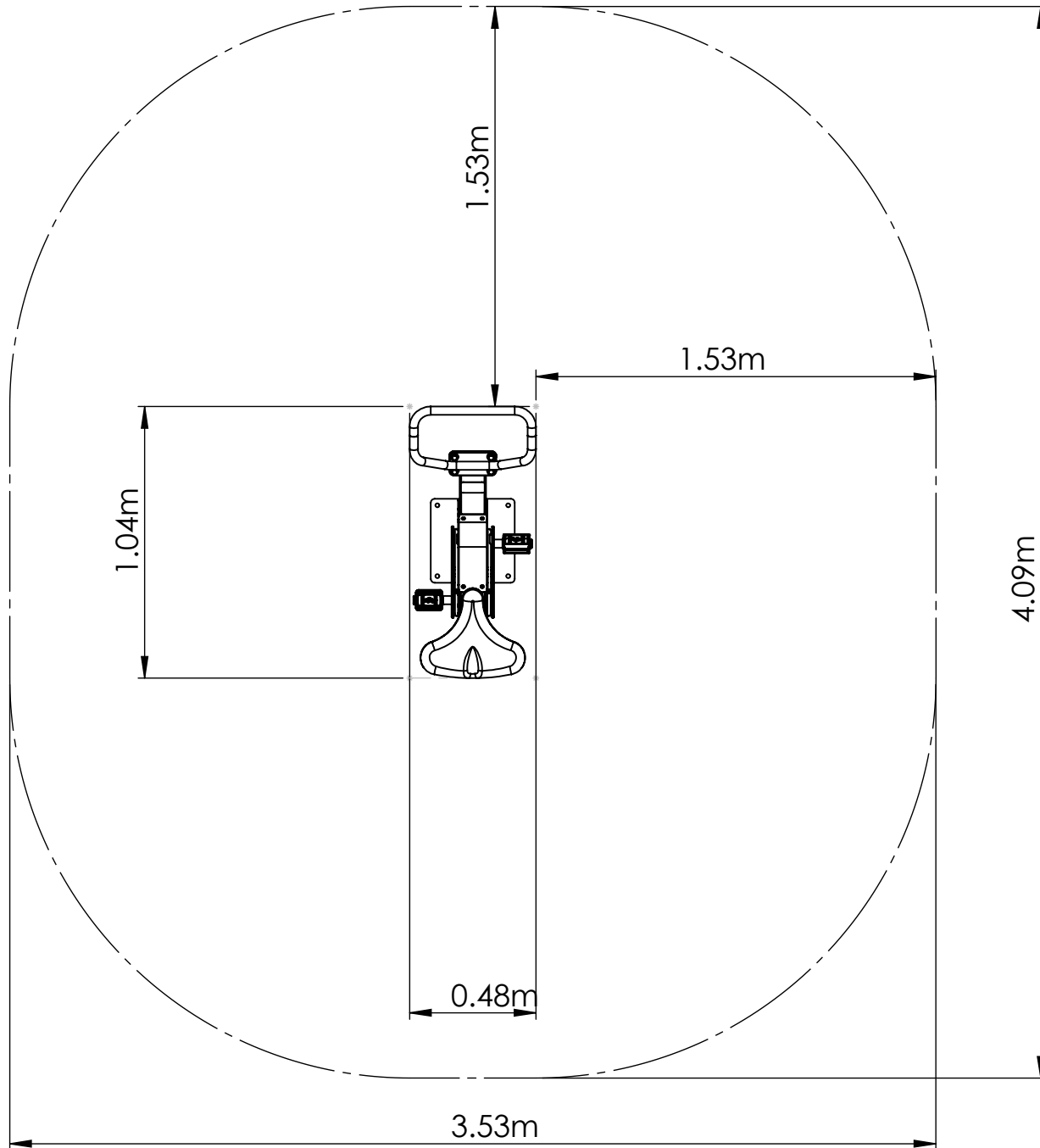
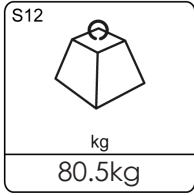
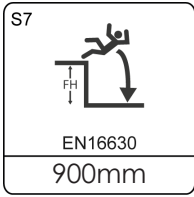


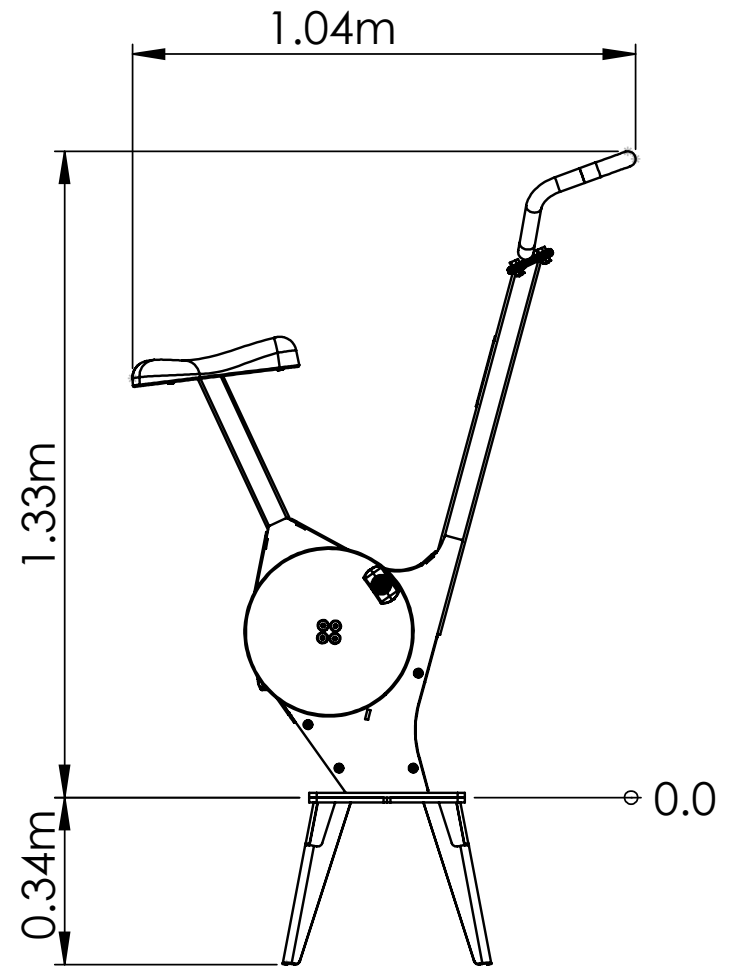
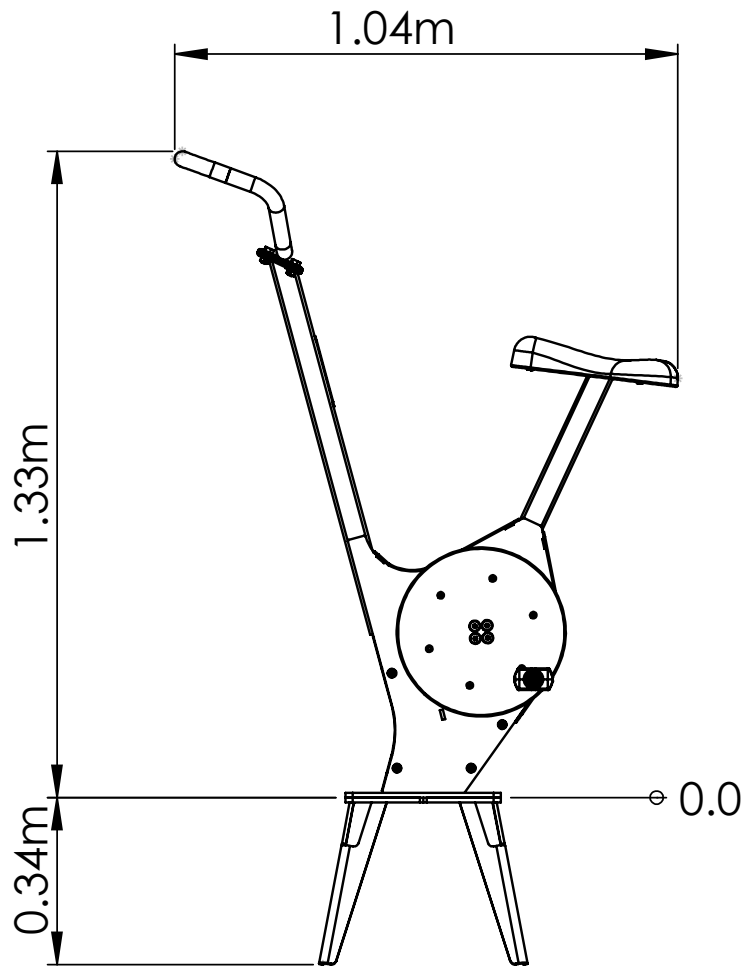
5

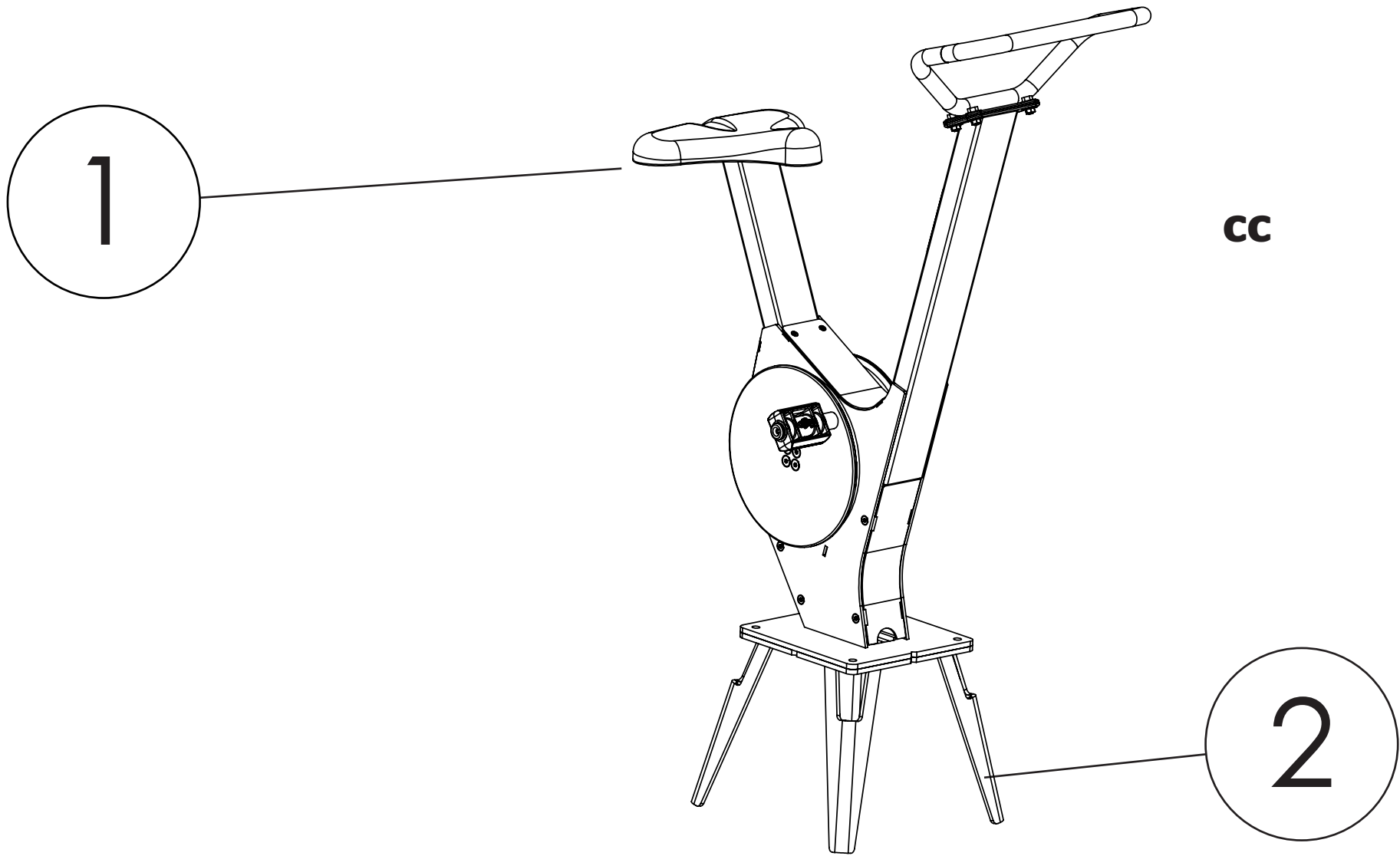


6

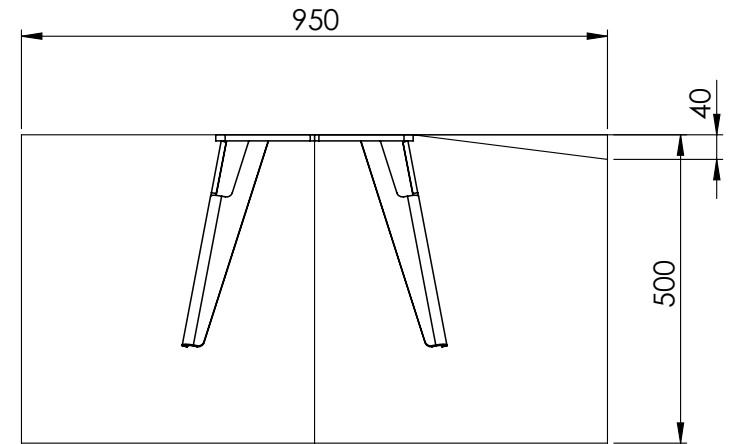
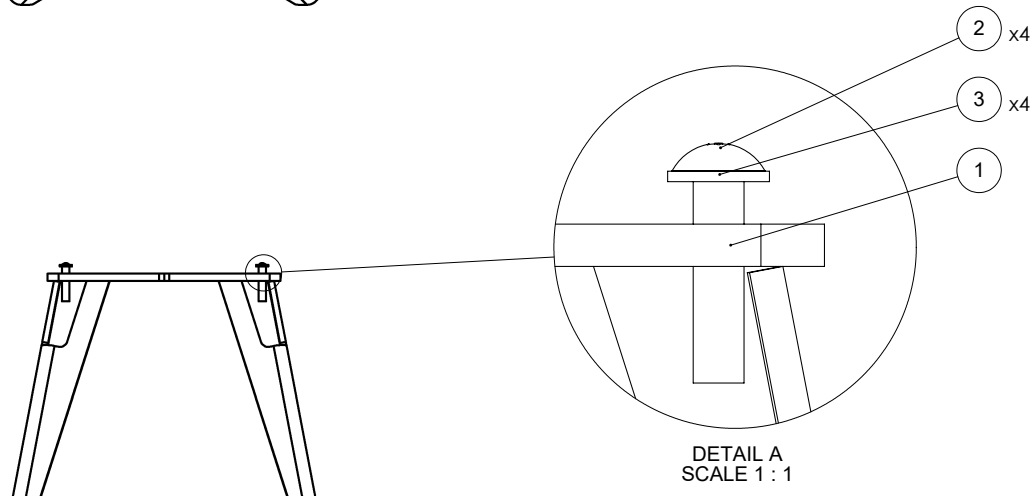
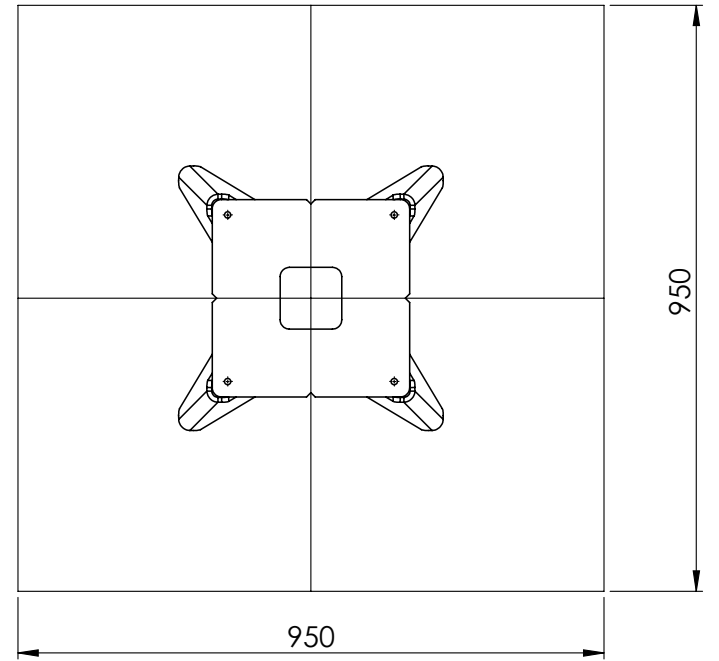
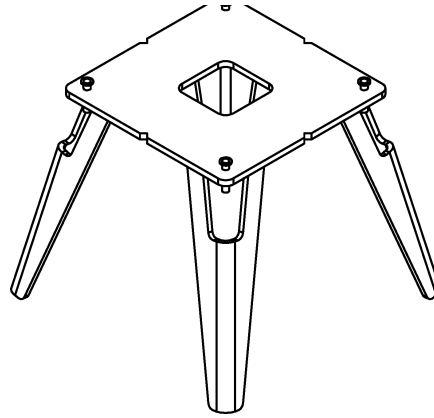
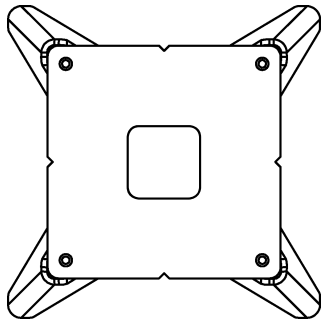




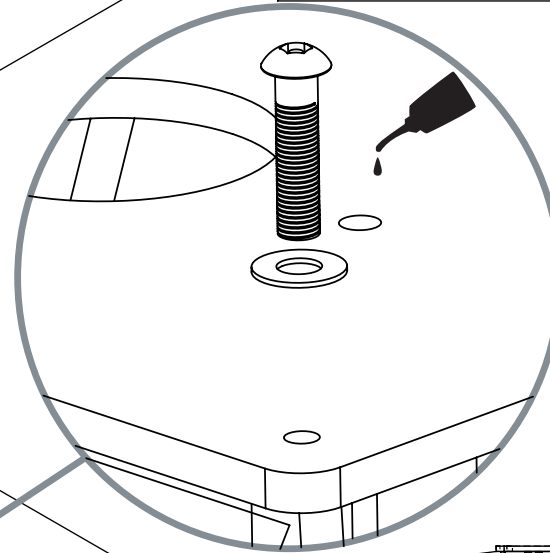
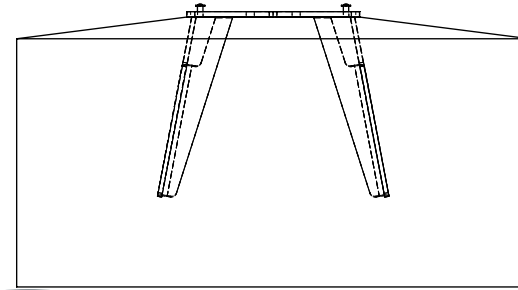
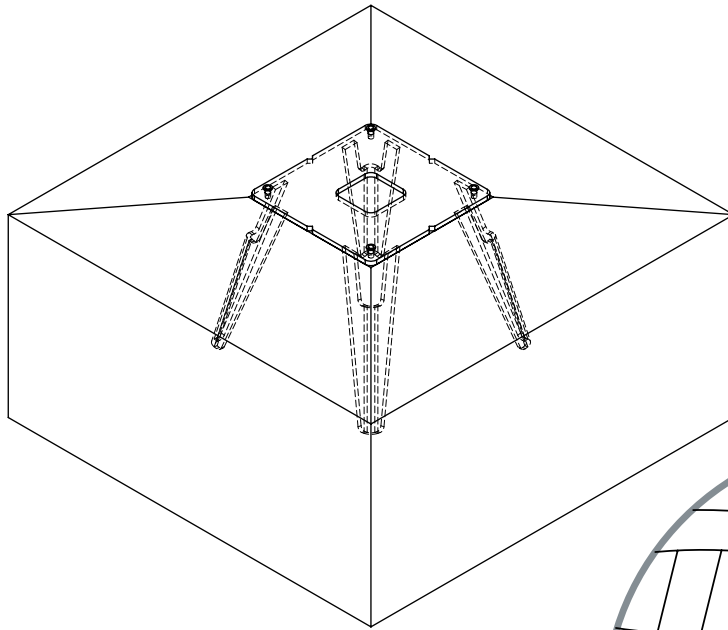




CC

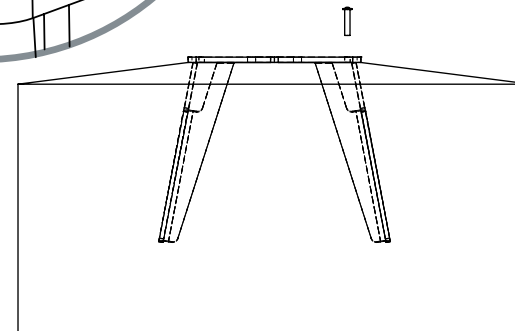
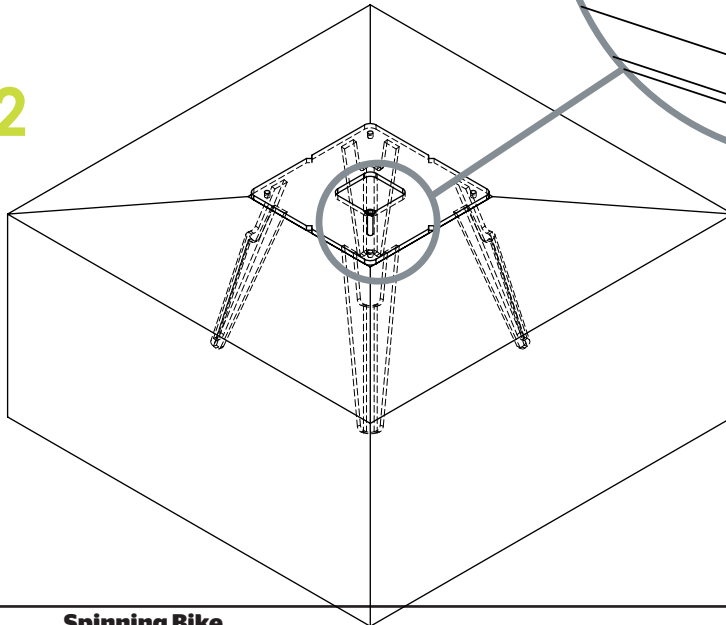


1

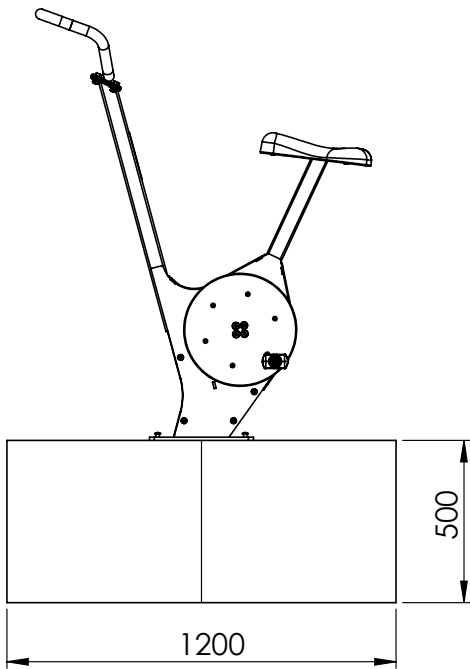
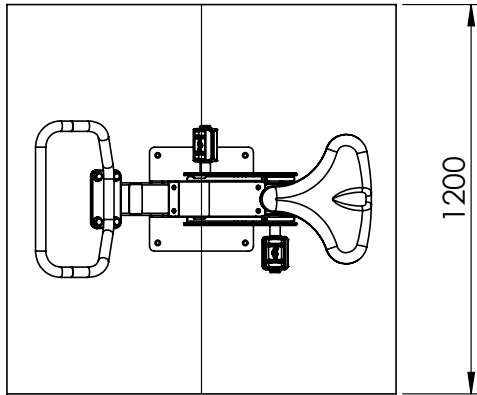


CC

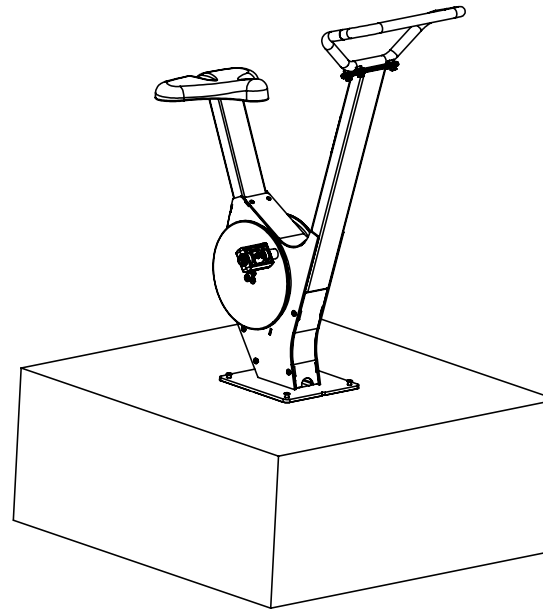
2





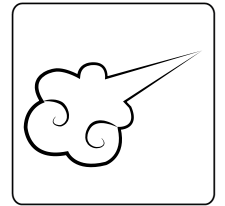


1



**OM**

2



3

